

# iS250 Kit

24 Volt motor, Suitable for gates up to 3 metres and 300Kg

## SWING GATE OPENERS



- ) Cost effective solution for automation of swing gates
- ) Uses Elsema's MC card with Eclipse® operating system
- ) Die-cast Aluminium motor cover for great durability.
- ) Mechanical stopper built in the motor for added protection. No stoppers required on your driveway.
- ) Battery backup (iS250 E7)
- ) Waterproof cover design
- ) Soft start and soft stop
- ) Easy installation



Die-cast aluminum cover. Maximum protection against environment



Manual release located on the bottom side of the motor



Strong and reliable worm shaft. Easy installation



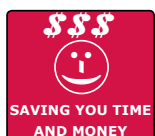
**COST EFFECTIVE SOLUTION FOR SWING GATES**



+



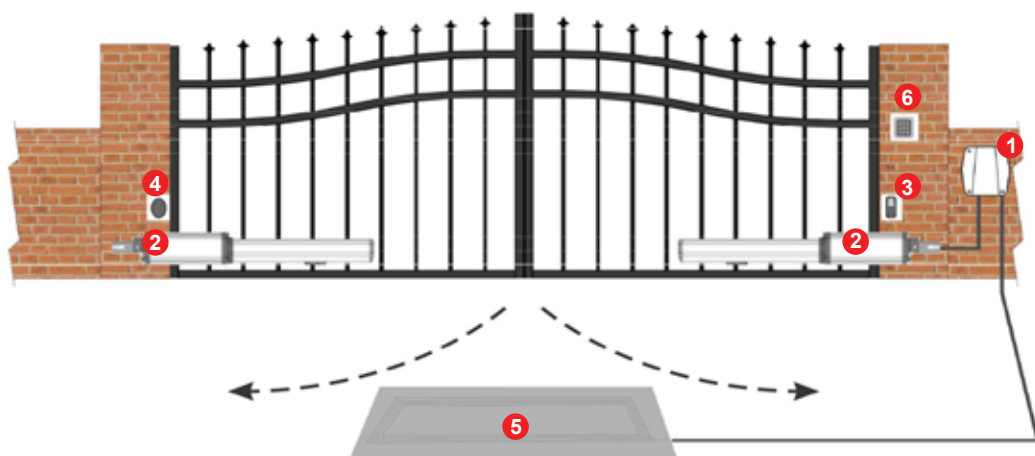
=



## TECHNICAL DATA

Power supply	240 Volts AC
Motor voltage	24 Volts DC
Max gate weight	300kg
Max gate length	3 metres
Peak thrust	3000N
Operation stroke	500mm
Typical gate opening time	15-20sec
Duty cycle	20%
Operating temperature	-20°C~50°C

## Typical installation



- |   |                            |
|---|----------------------------|
| 1 | Intelligent control box    |
| 2 | iS250 motor                |
| 3 | PE1500 photo electric beam |
| 4 | Reflector for PE1500       |
| 5 | Vehicle detector           |
| 6 | Wireless Keypad            |

## Kit contents



Intelligent control box with built-in receiver.



iS250 dual swing motors with built-in stopper

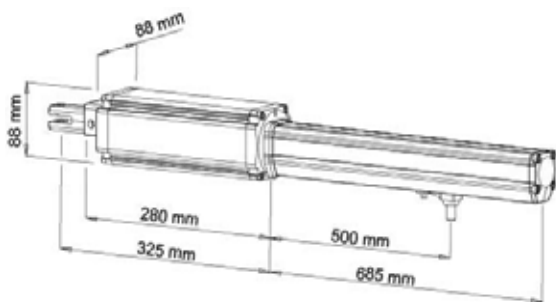


3 x Keyring remotes with frequency hopping



Long range reflector type photo electric beam

## Dimensions



## Ordering Code

PART NUMBERS	DESCRIPTION
iS250D	Dual swing motor kit
iS250	Single swing motor kit
E7	*Optional battery backup kit

\*Please specify battery backup option when ordering

## Optional Accessories



### PentaCODE® Keypad

Wireless keypad compatible with Pentacode receivers



### GSM Gate Opener

Open your gate with your mobile phone for free!



### Locking Actuator

- ) 12 Volts DC
- ) 50mm Stroke
- ) 20mm Stainless Steel Pin



### Backup Batteries

24 Volt, 7Ah rechargeable lead acid battery



### Vehicle Detector

- ) 12, 24 or 240 Volts
- ) 1 or 2 loops
- ) Medium or high sensitivity



### Flashing Lights

- ) 12 or 24 Volts DC
- ) Red, Blue & Amber
- ) 90 Flashes \ min