

# Aquatec® | Bath lift

**NEW**



**! European approved**



## *Aquatec Orca, Orca XL*

The Aquatec Orca bath lift is an electric bath chair that lowers and lifts the user in and out of the bath, reducing the strain on the user and preventing the risk of falls. The stable, robust frame with reinforced scissors and base plate ensure the user's absolute stability and safety. The Orca bath lift has a superior backrest recline of up to 40° and lowers down into the bath tub to aid in washing and rinsing, enhancing the user's bathing experience. The Orca bath lift is particularly versatile and can be disassembled into two parts for ease of storage, infrequent use or travel.

**AQUATEC®**



**Yes, you can.®**



Aquatec **Orca**

- Maintenance free actuator, powerful and quiet
- High backrest with contoured neckrest, can be positioned and folded with just one hand
- Backrest can be reclined up to 40°
- The ergonomic, floating hand control fits securely in the hand and is easy to grasp
- Removable and machine-washable covers
- Optimised base plate – significantly more space in the bathtub
- Patented, self-release suction cups: can be easily removed
- Wide range of accessories for individual customisation



Aquatec **Orca**  
with reclining backrest.



Aquatec **Orca XL**  
with reclining backrest. Bath lift with particularly high load capacity: 170 kg.

**Options and features**



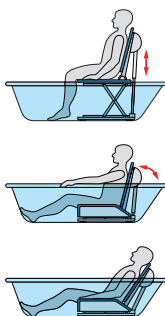
Can also be used without cover.



Can be disassembled into 2 parts.



High-performance actuator.

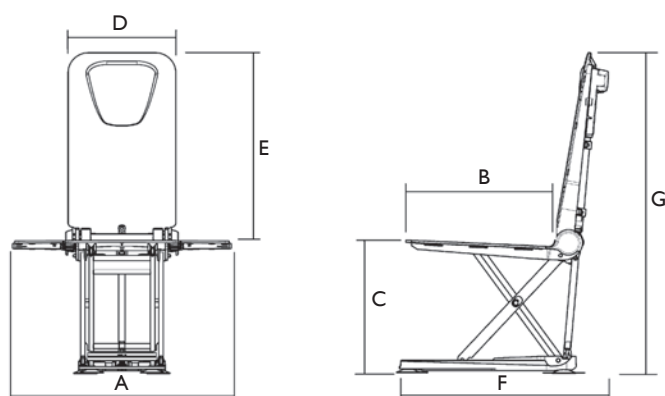


Lift in operation

## Technical data

Order numbers	Aquatec <i>Orca</i>	Aquatec <i>Orca XL</i>
Bath tub lift with cover	<b>1470753</b>	<b>1471070</b>
Dimensions		
Seat width without side flaps	375 cm	375 cm
Seat width with side flaps	71.5 cm* (A)	71.5 cm (A)
Seat depth	49 cm (B)	49 cm (B)
Seat height max.	42 cm (C)	42 cm (C)
Seat height min.	6 cm	6 cm
Width of backrest	36 cm (D)	36 cm (D)
Height of backrest	66.5 cm (E)	66.5 cm (E)
Total depth (backrest upright)	65 cm (F)	65 cm (F)
Total depth (backrest reclined)	92 cm	92 cm
Total height with backrest	107.5 cm (G)	107.5 cm (G)
Base area	58 x 28.5 cm	58 x 28.5 cm
Cover thickness	0.3 cm	0.3 cm
More info		
Total weight without hand control	12.1 kg	12.1 kg
Total weight without battery pack	–	–
Weight, seat	7.5 kg	7.5 kg
Weight, backrest	4.6 kg	4.6 kg
Weight, hand control	0.4 kg	0.4 kg
Weight, battery pack	–	–
Load capacity	135 kg	170 kg
Backrest can be reclined by up to	40°	40°
Colour	White	White
Warranty	W307 - 3 years frame. Limited 1 year components.	W307 - 3 years frame. Limited 1 year components.
Certification	EU CE marked	EU CE marked
Registration	AUS- TGA NZ – Medsafe	AUS- TGA NZ – Medsafe
Standards Tested	TUV approved	TUV approved

\* TÜV Product Service is a European leading international expert in providing testing, certification, and qualification.  
TUV testing validates the highest product safety.



**Accessories Aquatec bath lift**



**Reclining special backrest**  
Individually adjustable side parts for a secure positioning.  
**1471560** White, for **Orca** (when ordered with bath lift)  
**1471623** White, for **Orca** (for retrofitting)



**Height-adjustable headrest**  
For the safe support of the head and neck area. Recommended in conjunction with the special backrest. All parts for the headrest assembly included.  
**15461** White, for all **Orca**



Please complete the **Orca** dimension sheet.

**Custom-built side flaps**  
Facilitates transfer from the lift.  
**1471636** Side flaps (pair), including cover, white, for **Orca** (when ordered with lift)  
**1471606** Side flap (unit), without cover, for **Orca / Orca F** (when retrofitting)



**Safety belts**  
To hold the user securely.  
**1471209** Chest belt, white, for **Orca / Orca XL**  
**1471210** Pelvic belt, white, for **Orca / Orca F / Orca XL**



**Chest and pelvic belt**  
Soft, skin friendly material.  
**1528702** for **Orca**



**Stopper/abduction unit**  
Prevents slipping from the seat surface.  
For all battery-driven bath lifts.  
**1525932** Blue (ø 7 cm)  
**1525933** Blue (ø 12 cm)



**Height adapter**  
To increase seat height by 2, 4 to 6 cm, for all battery-driven bath lifts.  
**15170** Height adapter 2 cm (4 pcs.) incl. conversion kit  
**14694** Height adapter 2 cm (4 pcs) Extension kit without conversion kit



**Side flap deflectors**  
To be used for hand grips in the bathtub. The side flap deflector can also be shortened when required.  
**15309** for all battery driven bath lifts (1 piece)